



PROVINCE OF BENGUET
 La Trinidad
BIDS AND AWARDS COMMITTEE
 (INFRASTRUCTURE PROJECTS)

Project Number 2022031

MEMORANDUM TO:


Mr. / Ms.: BAC SUPPORT STAFF
 (Canvasser)

Please furnish each of the following dealer/ establishment a copy of the solicitation "bid" tender for the project

REHABILITATION OF MADUTO - PEKAW WATER WORKS, MADUTO, CABITEN, MANKAYAN

for use of MANKAYAN, BENGUET to be opened on April 12, 2022 at 9:00AM ABC: 1,000,000.00

	NAME OF CONSTRUCTION FIRM	ADDRESS	RECEIVED	DATE
1				
2				
3				
4				
5				
6				
7				
8				
9				
10				


ATTY. SUNNY G. SACLA
 BAC - INFRA Chairperson

CERTIFICATION

I/We the undersigned, hereby jointly and severally certify to have given each of the above contractor/establishments a copy of the solicitation bid papers and inform them that they shall submit their quotations before the time of opening of the same.

CANVASSER/S:

CEFERINO GOLINGAB JR. / SEVENTINA C. OWAY
 BAC SUPPORT STAFF



Republic of the Philippines
PROVINCE OF BENGUET
La Trinidad
BIDS AND AWARDS COMMITTEE
(INFRASTRUCTURE PROJECTS)

Project Number: 2022031 Source of Fund: 20% PDF CY 2022
REHABILITATION OF MADUTO - PEKAW
WATER WORKS, MADUTO, CABITEN,
Name of the Project: MANKAYAN No. of Calendar Days: 59
Location of the Project: MANKAYAN, BENGUET ABC: 1,000,000.00

REQUEST FOR QUOTATION
NEGOTIATED PROCUREMENT- (SMALL VALUE PROCUREMENT)

Sir/Madam:

Please quote your lowest price on the project listed below. Please Submit your Quotation duly signed by you to the Bids and Awards Committee not later than **8:30 AM on April 12, 2022** c/o BAC Support, 2nd Floor, BAC Office, Capitol La Trinidad. To be opened at **9:00am** on the same day.

Thank you very much.


ATTY. SUNNY G. SACLA
BAC- INFRA Chairperson

INSTRUCTIONS:

"PLEASE SEAL YOUR QUOTATIONS"

- All Entries must be typewritten or handwritten (please write legibly & do not use pencil);
- To quote for this Contract, a Contractor must meet the following major criteria: (a) Filipino Citizen or 75% Filipino-owned partnership, corporation, cooperative, or joint venture, with PCAB License applicable to the type and cost of this contract;
- Clustered projects shall be treated as one project. Any adverse findings on any of the clustered projects shall be a ground for disqualification.
- All particulars relative to the Evaluation of quotation, Post-Qualification and award of contract shall be governed by the pertinent provision of revised R.A. 9184 and its implementing rules and regulations;
- Documentary requirements to be submitted with this RFQ:
 - Detailed Estimates with pertinent supporting documents (e.g. Summary Sheet)
 - Mayor's/Business Permit;
 - PhilGEPS Registration Number; _____ (Kindly indicate)
 - PCAB License;
 - Latest Income/Business Tax Returns for ABC above P500,000.00;
 - Omnibus Sworn Statement for ABC above P500,000.00; and
"in lieu of 'b' & 'c', certified true copy of PhilGEPS Platinum membership may be submitted.
- The only authorized person to secure and drop quotations (RFQs) and documents is the contractor himself/herself or his/her representative through a Special Power of Attorney (SPA), particularly stating therein the title of the project/s which the principal (contractor) is granting authority for his/her agent with the power to secure, drop and sign in behalf of the principal any documents required in the procurement proceedings (R.A. 9184);
- Detailed estimate for all items of work shall be itemized (not lumpsum);
- Detailed Estimates for reinforcing steel bars shall be itemized according to its size;
- To submit the following additional documentary requirements within three (3) days from Notice of the BAC:
 - Construction Schedule and S-Curve;
 - Cash Flow;
 - Manpower Utilization Schedule;
 - Equipment Utilization Schedule;
 - Construction Safety and Health Program;
 - Construction Method;
 - PERT-CPM;
 - Provincial Permit;
- All Erasures shall be countersigned;

****Non-compliance to the foregoing instructions shall be a ground for disqualification.**

NO.	PROJECT TITLE	QUANTITY	UNIT	UNIT PRICE	TOTAL PRICE
1	REHABILITATION OF MADUTO - PEKAW WATER WORKS, MADUTO, CABITEN, MANKAYAN				
	SCOPE OF WORK				
	Spl. A Project Billboard	whole	whole		
	Spl. B Construction Health and Safety Requirements	whole	whole		
	Spl. C Manual Hauling	30,470.78	kgs		
	100(1) Clearing & Grubbing (w/ Stripping)	2,190.00	sq.m		
	103 Structure Excavation (UM/ RR)	8.34	cu.m		
	404 Steel Works	665.58	kgs		
	405 Structural Concrete (Class "A")	8.85	cu.m		
	Spl. D Pipeline Works	3,780.00	lm		
	Spl. E Installation of Steel Cable	whole	whole		
	Spl. F Mobilization and Demobilization	whole	whole		

MINIMUM EQUIPMENT REQUIRED		IN FIGURES:			
1	Chain Block				
1	One Bagger Concrete Mixer				
1	Cargo Truck				
1	Six Wheeler Truck				
1	Pipe Wrench				
1	Concrete Vibrator				
1	Bar Cutter				
1	Pipe Threader				
1	Bar Bender				
1	Water Truck (1000gals)				

BID AMOUNT IN FIGURES:

BID AMOUNT IN WORDS:

CANVASSER/S:

CERTIFICATION

This is to certify that I have full knowledge, authority and responsibility in distributing and/or collecting the Request for Quotation in accordance to the guidelines in securing prices for the Bids and Awards Committee on Infrastructure.

CEFERINO GOLINGAB JR. / SEVENTINA C. OWAY
BAC SUPPORT STAFF

After having carefully read and accepted your general conditions.
I/We quote you on the project noted above.

Name of Construction Firm(As indicated in PCAB License) & Address

Name of Owner
(Signature over printed name)

Telephone / Cellphone Number
e-mail Address

Date:

GENERAL NOTES

A. SCOPE OF WORK

- ✓ 1. SPL.A: FABRICATION & INSTALLATION OF PROJECT BILLBOARD
- ✓ 2. SPL.B: CONSTRUCTION HEALTH AND SAFETY REQUIREMENTS
- ✓ 3. SPL.C: MANUAL HAULING
- ✓ 4. 101(1): CLEARING & GRUBBING
- ✓ 5. ITEM 103: STRUCTURE EXCAVATION(U.M./R.R.)
- ✓ 6. ITEM 404: REINFORCING STEEL
- ✓ 7. ITEM 405: STRUCTURAL CONCRETE(CLASS "A")
- ✓ 8. SPL.D: PIPELINE WORKS
- ✓ 9. SPL.E: INSTALLATION OF STEEL CABLE
- ✓ 10. SPL.F: MOBILIZATION & DEMOBILIZATION

B. SPECIFICATIONS

A) GENERAL

1. PROJECT BILLBOARD SHALL BE STRICTLY COMPLIED PRIOR TO THE START OF THE PROJECT.
2. ALL DIMENSIONS HEREIN ARE IN METERS UNLESS OTHERWISE SPECIFIED.
3. WORKMANSHIP SHALL CONFORM TO THE STANDARDS OF THE RESPECTIVE TRADE.
4. APPROVED REVISIONS MAYBE DONE HEREIN TO SUIT EXISTING FIELD CONDITIONS.
5. PROVIDE TRAFFIC / WARNING SIGNS AS SAFETY MEASURES.
6. AGGREGATES SHALL BE STRICTLY TAKEN FROM THE PROGRAMMED SOURCE.
7. DESIGNATE SAFETY OFFICER AND FIRST AIDER ON SITE -MINIMUM PERSONAL PROTECTIVE EQUIPMENT FOR C.H.S.P.
 - a. SAFETY SHOES
 - b. SAFETY HELMET
 - c. SAFETY GLOVES
 - d. REFLECTORIZED VEST
 - e. FIRST AID KIT
 - f. DOH APPROVED FACEMASK
 - g. MEDICAL KITS
 - (THERMAL SCANNER, ALCOHOL, ETC.)

B) REINFORCING STEEL

1. REINFORCING STEEL BARS TO BE USED SHALL CONSIST OF NEW BILLET STEEL (STRUCTURAL GRADE) OF GOOD QUALITY, MEETING ALL THE REQUIREMENT OF THE STANDARD SPECIFICATIONS FOR REINFORCING BARS, AND THE SIZE REQUIRED BY THE DRAWING.
2. THE LENGTH OF LAP JOINT AND ANCHORAGE SHALL NOT BE LESS THAN 40 TIMES THE DIAMETER OF THE BAR BUT NOT LESS THAN 300mm.

C) STRUCTURAL CONCRETE

1. AGGREGATES TO BE USED HEREIN SHALL BE HARD, DURABLE, CLEAN AND FREE FROM HARMFUL MATTERS THAT ARE INJURIOUS TO CONCRETE.
2. CONCRETE MIXTURE FOR STRUCTURAL CONCRETE AND ALL REINFORCED STRUCTURES SHALL BE CLASS "A"(1:2:3) F'c=3,000PSI @ 28 CD.
3. PROVIDE ENOUGH FORMS SUPPORT AND SCAFFOLDINGS FOR STRUCTURAL CONCRETE PRIOR TO CONCRETE POURING TO AVOID BUCKLING & BULGING OF STRUCTURES.

D) PIPELINE

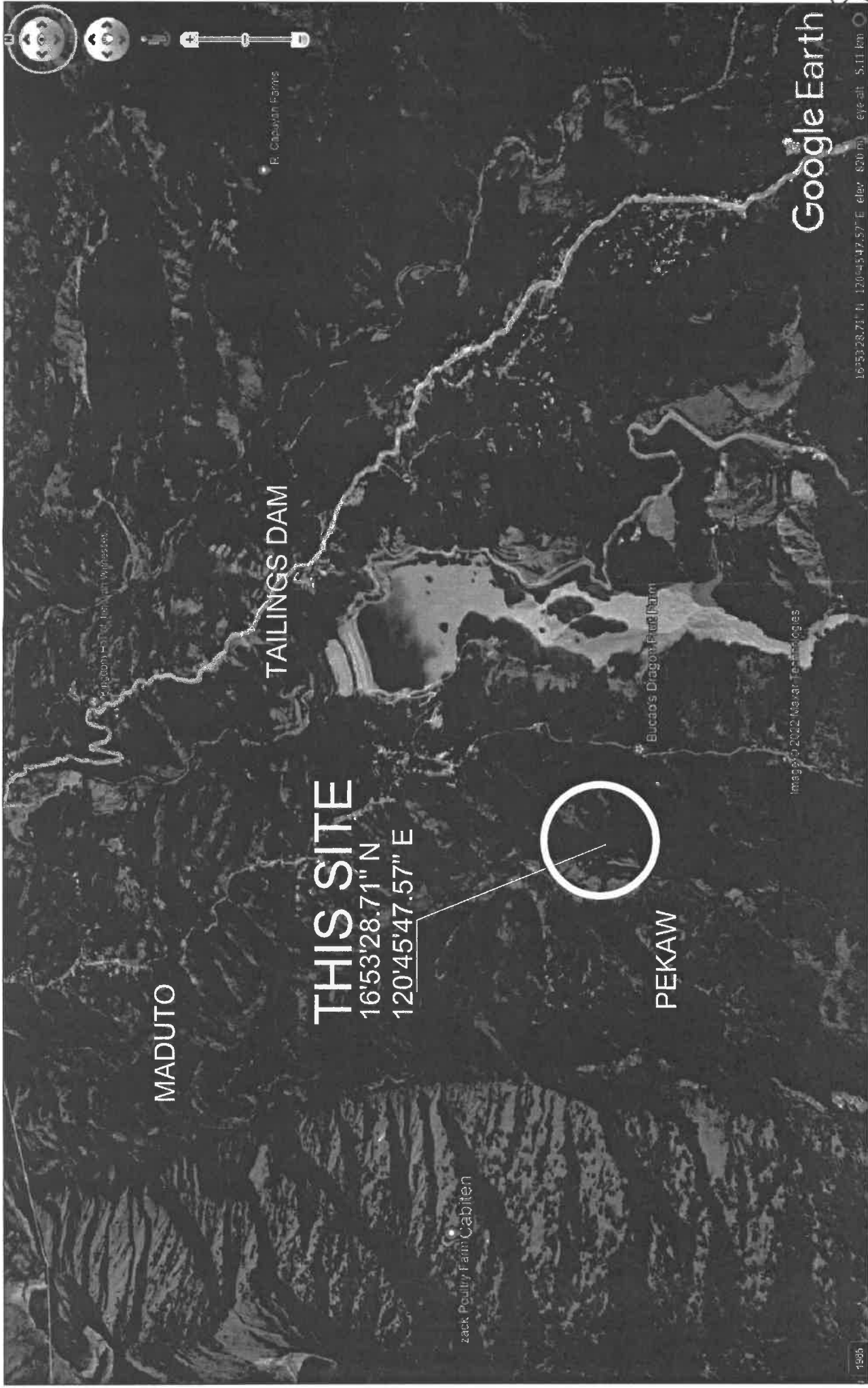
1. PROVIDE G.I. UNION FOR EVERY 10 PCS PIPE INSTALLED.
2. ALL G.I. PIPES AND FITTINGS MUST BE S-40.
3. ALL HDPE PIPE MUST BE SDR 13.5 THICKNESS
4. ALL MATERIALS SHALL BE HAULED PROPERLY TO AVOID DAMAGES.
5. ALL MATERIALS SHALL BE NEW AND GOOD CONDITION.

C. EQUIPMENTS TO BE USED IN THE PROJECT

- | | |
|--------------------------------|--|
| ✓ ONE UNIT - CHAIN BLOCK | ✓ TWO UNIT - PIPE THREADER |
| ✓ ONE UNIT - CARGO TRUCK | ✓ ONE UNIT - BAR CUTTER |
| ✓ TWO UNITS - PIPE WRENCH | ✓ ONE UNIT - ONE BAGGER CONCRETE MIXER |
| ✓ ONE UNIT - CONCRETE VIBRATOR | ✓ ONE UNIT - BAR BENDER |
| ✓ ONE UNIT - WATER TRUCK | ✓ ONE UNIT - SIX WHEELER TRUCK |

*** OTHER DETAILS NOT SHOWN HEREIN OR NOT CLEARLY UNDERSTOOD, MISPRINTED, MISSING OR IN TYPO-ERROR SHALL BE REFERRED TO THE PROJECT IN CHARGE FOR PROPER VERIFICATION & RECOMMENDATIONS

PROVINCE OF BENGUET	PROJECT TITLE/LOCATION	PREPARED BY:	CHECKED BY:	REVIEWED BY:	APPROVED/DESIGNED/ENGDED:	APPROVED BY:	SHEET CONTENT:	SHEET NO.:
PEO	REHABILITATION OF MADUTO - PEKAW WATERWORKS, MADUTO, CEBITEN, MANKAYAN	NOISES ROGELIO B. LUIS JR. ENGINEERING ASSISTANT	<i>[Signature]</i> JOSEPH B. CANTAMAN ENGINEER	<i>[Signature]</i> FRANCISCO B. GAYTAN ASSISTANT PROJECT ENGINEER	<i>[Signature]</i> JERRY L. BOCANOG PROVINCIAL ENGINEER	<i>[Signature]</i> MELCHOR D. DICLAS, M.D. PROVINCIAL GOVERNOR	GENERAL NOTES	1
WANGAL, LA TRINIDAD, BENGUET	MANKAYAN, BENGUET							7



MADUTO

TAILINGS DAM

THIS SITE

16°53'28.71" N
120°45'47.57" E

PEKAW

Google Earth

16:53:28.71 N 120:45:47.57 E elev: 420 m eye-alt: 5.11 km

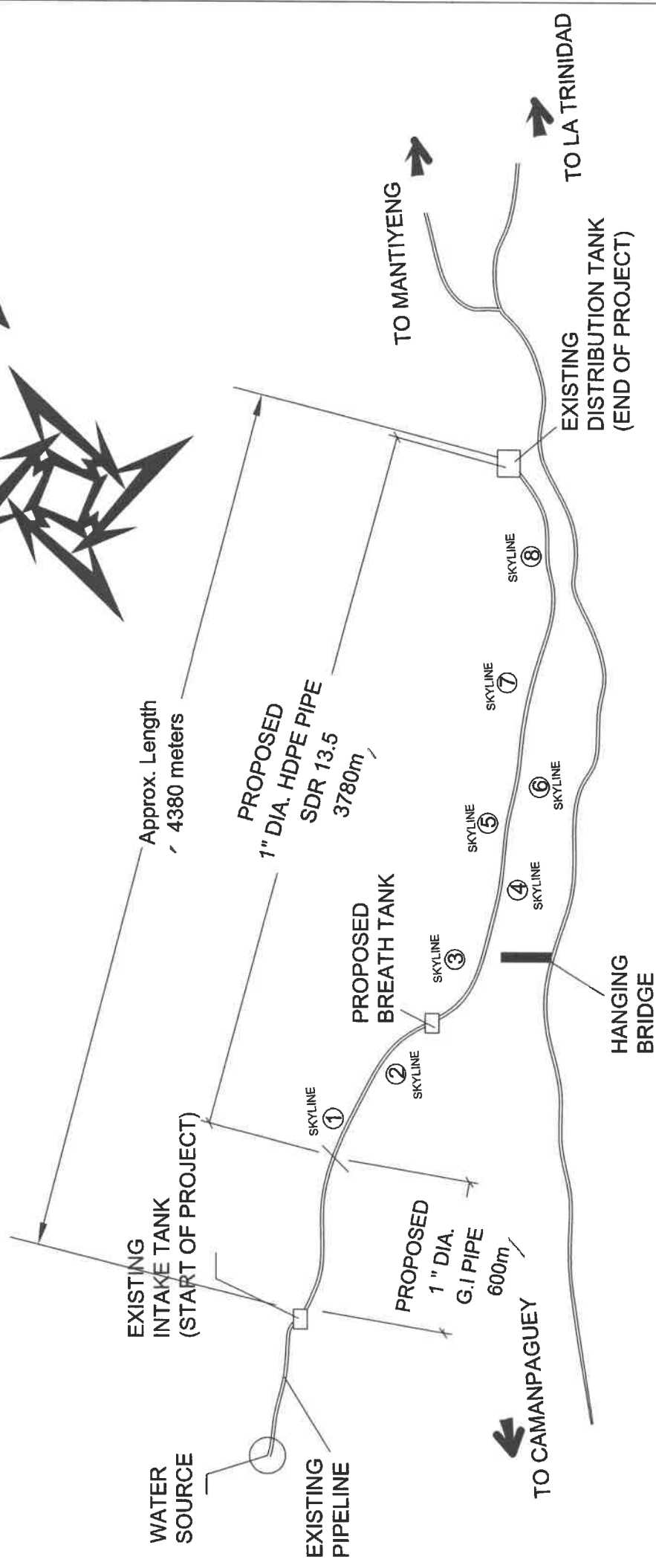
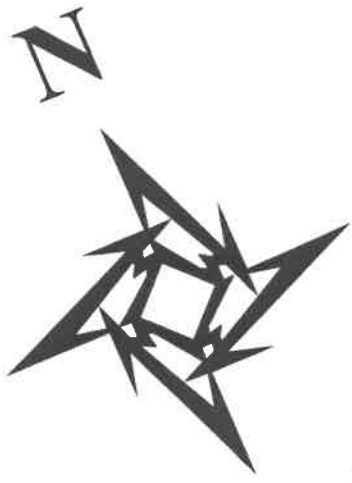
PROVINCE OF BENGUET
PEO
WANGAL, LA TRINIDAD, BENGUET

PREPARED BY:
[Signature]
MOISES ROSELIO B. LUIS, JR.
ENGINEERING ASSISTANT


[Compass icon] LOCATION PLAN
SCALE NDTs *[North arrow icon]*

PROJECT TITLE/LOCATION	REHABILITATION OF MADUTO - PEKAW WATERWORKS, MADUTO, CABITEN, MARUYAN
SHEET NO.:	2 / 7

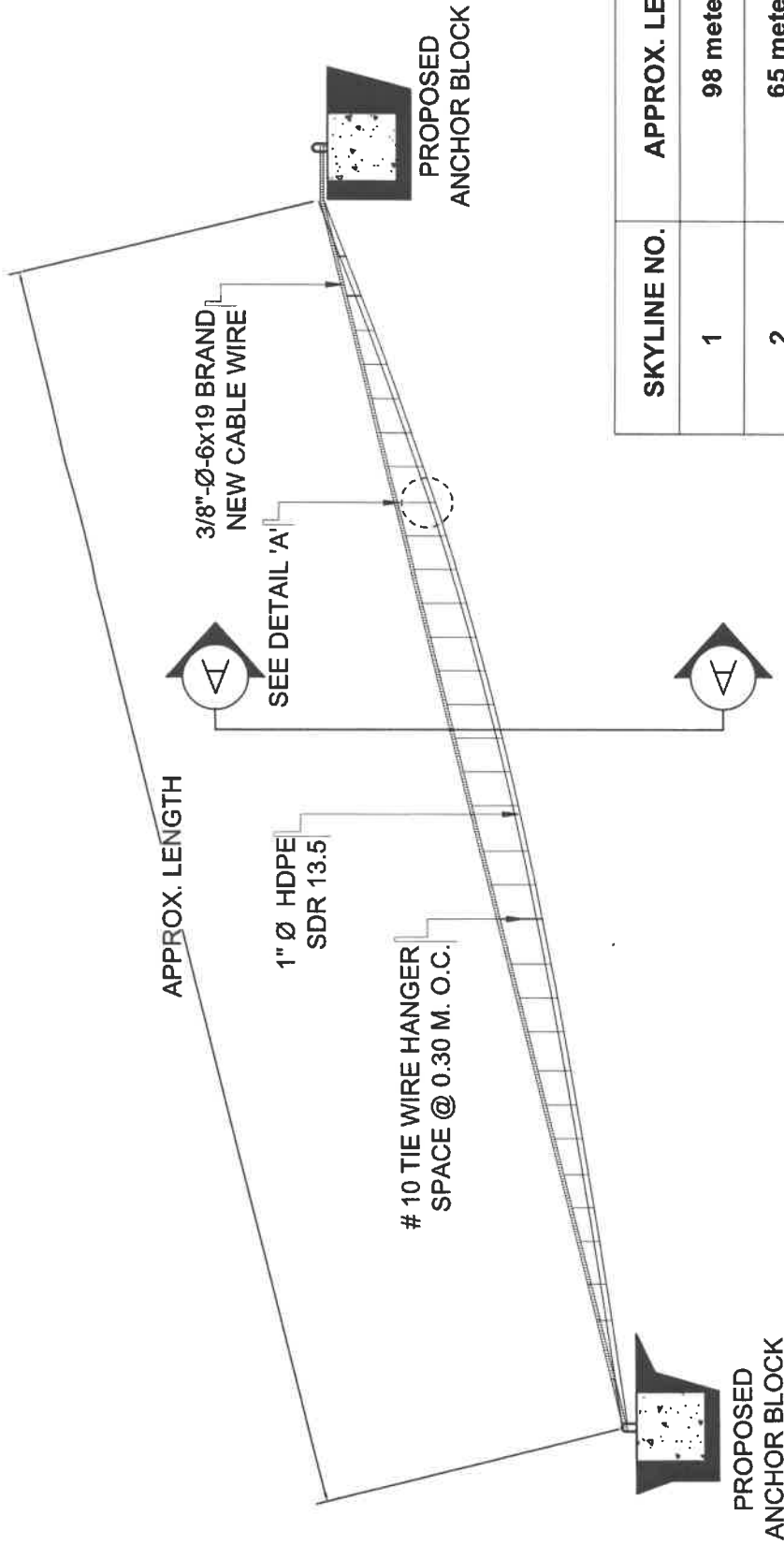
MARUYAN, BENGUET



SUMMARY OF PIPELINE LENGTH	
MATERIAL	LENGTH
1" DIA. HDPE PIPE, SDR 13.5 LENGTH	3,780 meters
1" DIA. G.I. PIPE, S40 LENGTH	600 meters
TOTAL PIPE LINE LENGTH	4380 meters


SITE PLAN
 SCALE _____ NDT'S

PROVINCE OF BENGUET PEO WANGAL, LA TRINIDAD, BENGUET	PREPARED BY:  MOISES ROGELIO B. LUIS JR. ENGINEERING ASSISTANT	PROJECT TITLE/LOCATION REHABILITATION OF MADUTO - PENAW WATERWORKS, MADUTO, CABITEN, MANAYAN	SHEET NO.: <table border="1"> <tr> <td>3</td> </tr> <tr> <td>7</td> </tr> </table>	3	7
3					
7					

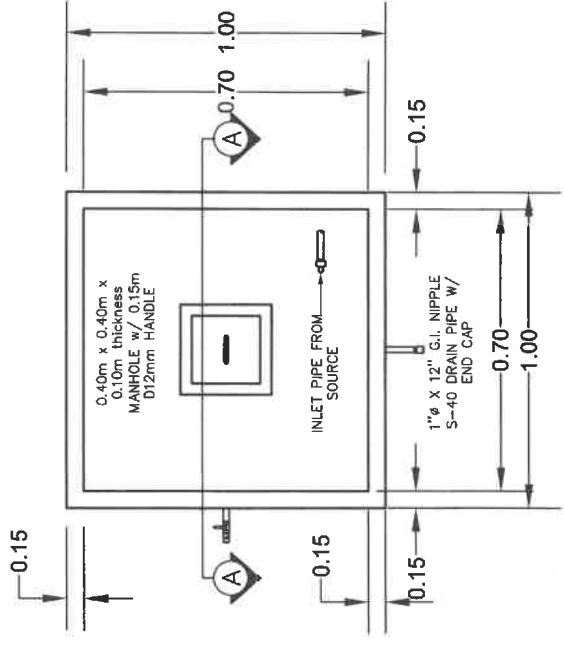


SKYLINE NO.	APPROX. LENGTH
1	98 meters
2	65 meters
3	140 meters
4	80 meters
5	132 meters
6	150 meters
7	80 meters
8	155 meters

TOT. = 900 M

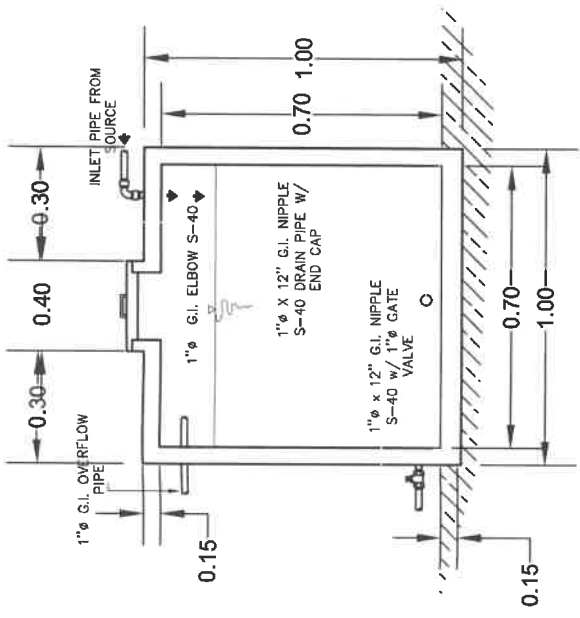
TYPICAL PIPELINE DETAILS
SCALE 1:245

PROVINCE OF BENGUET PEO WANGAL, LA TRINIDAD, BENGUET	PREPARED BY: MOISES ROGELIO B. LUIS JR. ENGINEERING ASSISTANT	PROJECT TITLE/LOCATION REHABILITATION OF MADUTO - PERAW WATERWORKS, MADUTO, CABITER, MANKAYAN	SHEET NO.: 4
			7

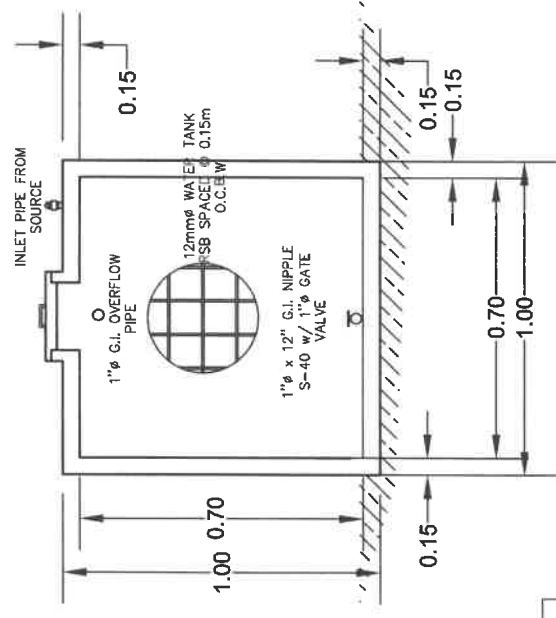


PLAN

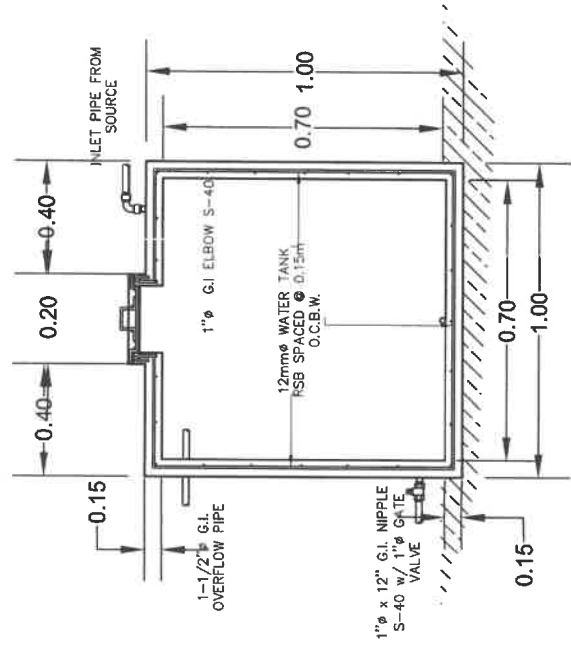
BREATH TANK DETAILS
SCALE 1:60



SECTION A - A
DETAILS

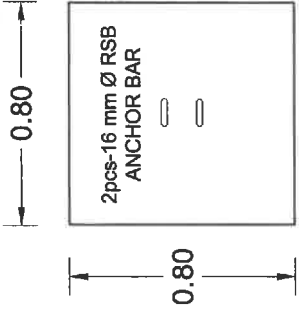


FRONT ELEVATION

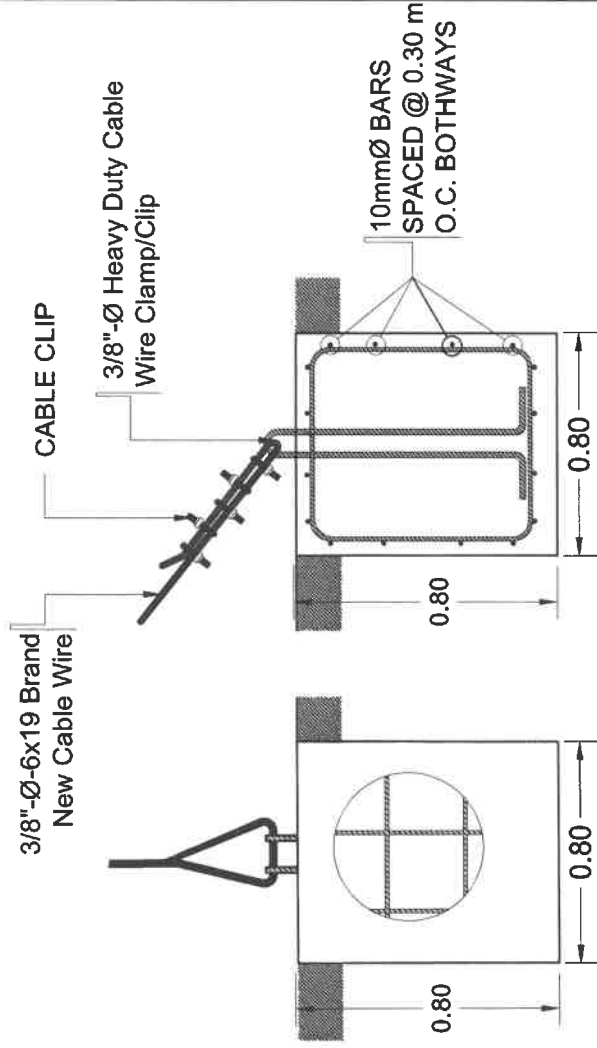


CROSS SECTION
DETAILS

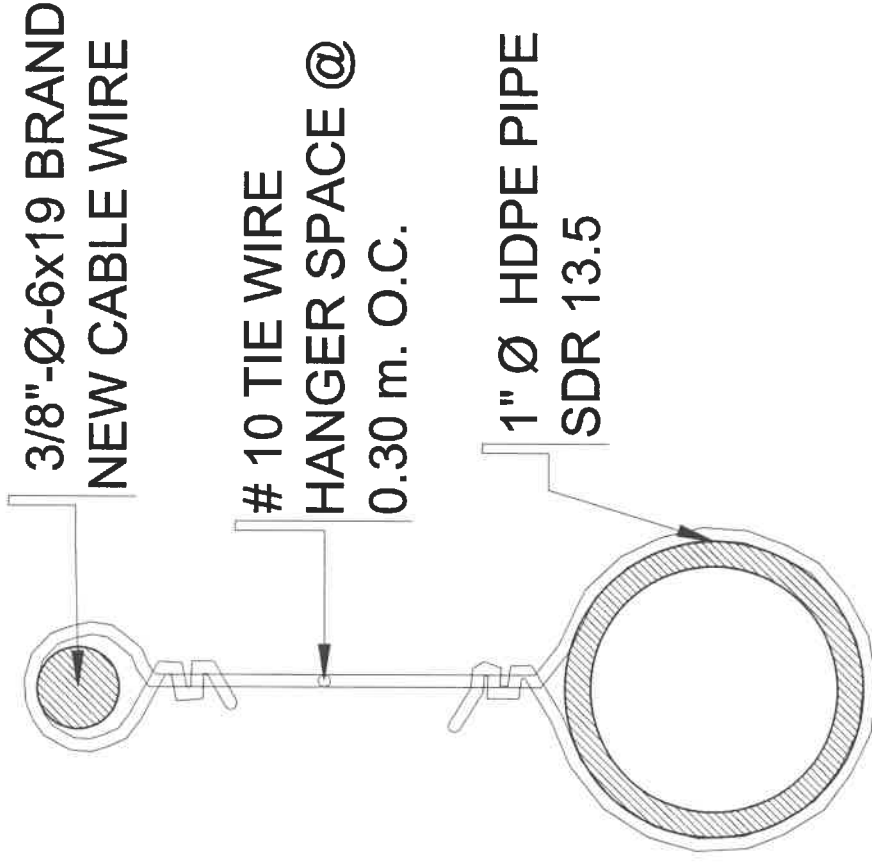
PROVINCE OF BENGUET	PREPARED BY:	PROJECT TITLE/LOCATION	SHEET NO.:
PEO	MOISES ROSELIO B. LUIS JR. ENGINEERING ASSISTANT	REHABILITATION OF MADUTO - PEKAW WATERWORKS, MADUTO, CABITEH, MANKAYAN	5
WANGAL LA TRINIDAD, BENGUET			7



ANCHOR BLOCK PLAN
SCALE 1:19



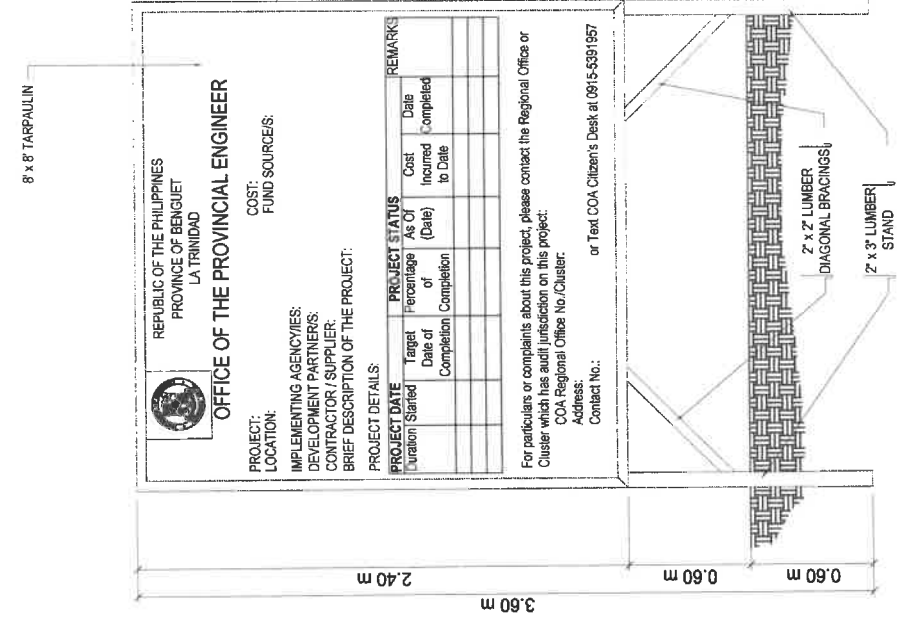
ANCHOR BLOCK DETAILS
SCALE 1:19



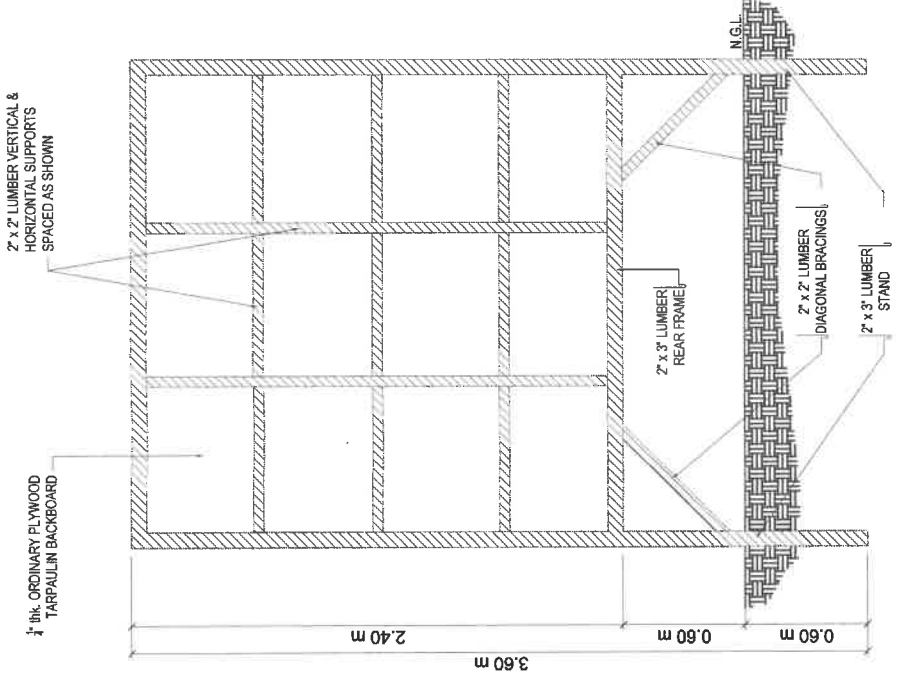
DETAILS "A"
SCALE 1:45

PROVINCE OF BENIGUET	PREPARED BY: <i>M. J. Luis Jr.</i>	PROJECT TITLE/LOCATION	NDTS	SHEET NO.:
PEO	MOISES ROQUEJO B. LUIS JR. ENGINEERING ASSISTANT	REHABILITATION OF MADUTO - PEKAW WATERWORKS, MADUTO, CABITEN, MANKAYAN		6
WANGAL, LA TRINIDAD, BENIGUET				7

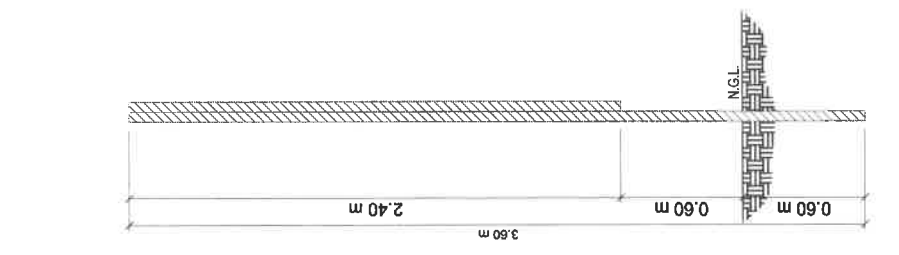
2



FRONT ELEVATION



REAR ELEVATION



SIDE ELEVATION

8' x 8' TARPAULIN

REPUBLIC OF THE PHILIPPINES
PROVINCE OF BENGUET
LA TRINIDAD

OFFICE OF THE PROVINCIAL ENGINEER

PROJECT: _____
LOCATION: _____
COST: _____
FUND SOURCE(S): _____

IMPLEMENTING AGENCIES: _____
DEVELOPMENT PARTNERS: _____
CONTRACTOR / SUPPLIER: _____
BRIEF DESCRIPTION OF THE PROJECT: _____

PROJECT DETAILS:

PROJECT DATE		PROJECT STATUS		REMARKS	
Duration	Started	Target Date of Completion	Percentage of Completion	As Of (Date)	Date Completed

For particulars or complaints about this project, please contact the Regional Office or Cluster which has audit jurisdiction on this project:
COA Regional Office No./Cluster: _____
Address: _____
Contact No.: _____ or Text COA Citizen's Desk at 0915-5391957

NOTE:
TARPAULIN : WHITE -8FT x 8FT
RESOLUTION : 70 dpi
FONT : ARIAL
FONT SIZE : MAIN INFORMATION- 3"
SUB-INFORMATION : 1"
FONT COLOR : BLACK

PROPOSED PROJECT BILLBOARD
SCALE
NTS

PROVINCE OF BENGUET

PEO

WANGAL, LA TRINIDAD, BENGUET

PREPARED BY: *Moises*

MOISES ROGELIO B. LUIS JR.
ENGINEERING ASSISTANT

PROJECT TITLE/LOCATION
REHABILITATION OF MADUTO - PEKAW WATERWORKS, MADUTO, CABITEN, MANKAYAN

SHEET NO.: **7**

8