



PROVINCE OF BENGUET  
La Trinidad  
**BIDS AND AWARDS COMMITTEE**  
(INFRASTRUCTURE PROJECTS)

Project Number 2022115

**MEMORANDUM TO:**

Mr. / Ms.: BAC SUPPORT STAFF  
(Canvasser)

Please furnish each of the following dealer/ establishment a copy of the solicitation "bid" tender for the project  
**IMPROVEMENT OF J207 - SEBSEB - BELING ROAD (SEBSEB SECTION), BACULONGAN NORTE, BUGUIAS**

for use of BACULONGAN NORTE, BUGUIAS, BENGUET to be opened on April 12, 2022 at 9:00AM ABC: 1,000,000.00

	NAME OF CONSTRUCTION FIRM	ADDRESS	RECEIVED	DATE
1				
2				
3				
4				
5				
6				
7				
8				
9				
10				

  
**ATTY. SUNNY G. SACLA**  
BAC - NFRA Chairperson

**CERTIFICATION**

I/We the undersigned, hereby jointly and severally certify to have given each of the above contractor/establishments a copy of the solicitation bid papers and inform them that they shall submit their quotations before the time of opening of the same.

CANVASSER/S:

CEFERINO GOLINGAB JR. / SEVENTINA C. OWAY  
BAC SUPPORT STAFF



Republic of the Philippines  
PROVINCE OF BENGUET  
La Trinidad  
**BIDS AND AWARDS COMMITTEE**  
(INFRASTRUCTURE PROJECTS)

Project Number: 2022115 Source of Fund: 205 PDF CY 2022  
IMPROVEMENT OF J207 - SEBSEB - BELING  
ROAD (SEBSEB SECTION), BACULONGAN  
Name of the Project: NORTE, BUGUIAS No. of Calendar  
Days: 46  
Location of the Project: BACULONGAN NORTE, BUGUIAS, BENGUET ABC: 1,000,000.00

**REQUEST FOR QUOTATION**  
**NEGOTIATED PROCUREMENT- (SMALL VALUE PROCUREMENT)**

**Sir/Madam:**

Please quote your lowest price on the project listed below. Please Submit your Quotation duly signed by you to the Bids and Awards Committee not later than **8:30 AM on April 12, 2022** c/o BAC Support, 2nd Floor, BAC Office, Capitol La Trinidad. To be opened at **9:00am** on the same day.

Thank you very much.

  
**ATTY. SUNNY G. SACLA**  
BAC- INFRA Chairperson

**INSTRUCTIONS:**

**"PLEASE SEAL YOUR QUOTATIONS"**

- All Entries must be typewritten or handwritten (please write legibly & do not use pencil);
- To quote for this Contract, a Contractor must meet the following major criteria: (a) Filipino Citizen or 75% Filipino-owned partnership, corporation, cooperative, or joint venture, with PCAB License applicable to the type and cost of this contract;
- Clustered projects shall be treated as one project. Any adverse findings on any of the clustered projects shall be a ground for disqualification.
- All particulars relative to the Evaluation of quotation, Post-Qualification and award of contract shall be governed by the pertinent provision of revised R.A. 9184 and its implementing rules and regulations;
- Documentary requirements to be submitted with this RFQ:
  - Detailed Estimates with pertinent supporting documents (e.g. Summary Sheet )
  - Mayor's/Business Permit;
  - PhilGEPS Registration Number; \_\_\_\_\_ (Kindly indicate)
  - PCAB License;
  - Latest Income/Business Tax Returns for ABC above P500,000.00;
  - Omnibus Sworn Statement for ABC above P500,000.00; and  
*\*in lieu of 'b' & 'c', certified true copy of PhilGEPS Platinum membership may be submitted.*
- The only authorized person to secure and drop quotations (RFQs) and documents is the contractor himself/herself or his/her representative through a Special Power of Attorney (SPA), particularly stating therein the title of the project/s which the principal (contractor) is granting authority for his/her agent with the power to secure, drop and sign in behalf of the principal any documents required in the procurement proceedings (R.A. 9184);
- Detailed estimate for all items of work shall be itemized (not lumpsum);
- Detailed Estimates for reinforcing steel bars shall be itemized according to its size;
- To submit the following additional documentary requirements within three (3) days from Notice of the BAC:
  - Construction Schedule and S-Curve;
  - Cash Flow;
  - Manpower Utilization Schedule;
  - Equipment Utilization Schedule;
  - Construction Safety and Health Program;
  - Construction Method;
  - PERT-CPM;
  - Provincial Permit;
- All Erasures shall be countersigned;

**\*\*Non-compliance to the foregoing instructions shall be a ground for disqualification.**

NO.	PROJECT TITLE	QUANTITY	UNIT	UNIT PRICE	TOTAL PRICE
1	<b>IMPROVEMENT OF J207 - SEBSEB - BELING ROAD (SEBSEB SECTION), BACULONGAN NORTE, BUGUIAS</b>				
	<b>SCOPE OF WORK</b>				
	Spl. A Project Billboard	whole	whole		
	Spl. B Construction Health and Safety Requirements	whole	whole		
	102(1) Roadway Excavation (Unsuitable-UM)	403.68	cu.m		
	103 Structural Excavation (Unsuitable-UM)	30.95	cu.m		
	404 Reinforcing Steel Bars	1,172.42	kgs.		
	405 Structural Concrete (Class A)	10.40	cu.m		
	505(5) Grouted Riprap (Class A)	110.47	cu.m		
	Spl. C Mobilization and Demobilization	whole	whole		
	<b>MINIMUM EQUIPMENT REQUIRED</b>	<b>IN FIGURES:</b>			
	1 1 Bagger Concrete Mixer				
	2 Dump Truck (12cu.yd)				
	1 Pay Loader (1.50cu.m)				

	1	Bar Bender, Three Phase			
	1	Bar Cutter, Single Phase			
	1	Cargo Truck (2-5mt)			
	1	Water Truck/ Pump (1000gal)			
	1	Concrete Vibrator			
	1	Cargo Truck (9-10mt)			
	1	Backhoe (0.80cu.m)			

**BID AMOUNT IN FIGURES:** 1

**BID AMOUNT IN WORDS:**

CANVASSER/S:

**CERTIFICATION**

This is to certify that I have full knowledge, authority and responsibility in distributing and/or collecting the Request for Quotation in accordance to the guidelines in securing prices for the Bids and Awards Committee on Infrastructure.

CEFERINO GOLINGAB JR. / SEVENTINA C. OWAY  
BAC SUPPORT STAFF

After having carefully read and accepted your general conditions.  
I/We quote you on the project noted above.

\_\_\_\_\_

**Name of Construction Firm(As indicated in PCAB License) & Address**

\_\_\_\_\_

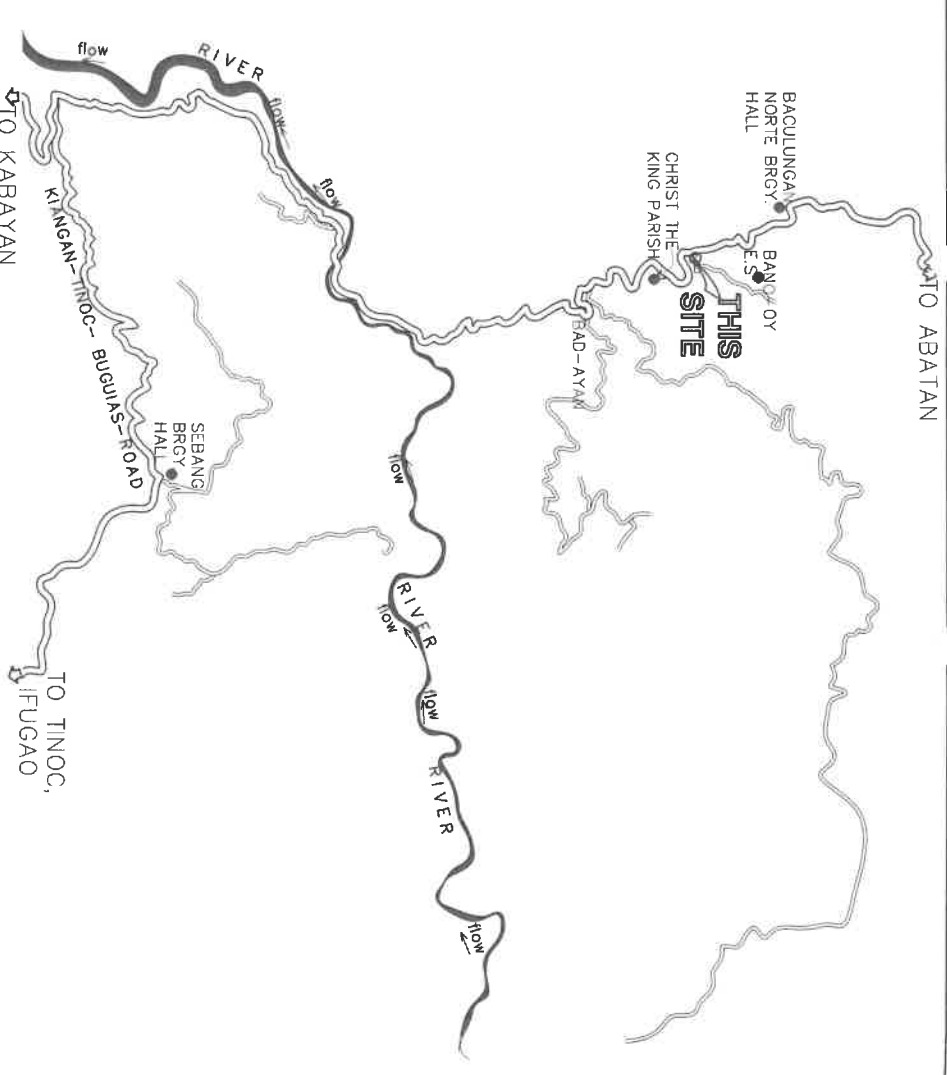
**Name of Owner**  
(Signature over printed name)

\_\_\_\_\_

**Telephone / Cellphone Number**  
**e-mail Address**

\_\_\_\_\_

Date:



LOCATION MAP  
SCALE NTS

**SPECIFICATIONS**

**QUALITY CONTROL**

1. ALL MATERIALS TO BE USED HEREIN SHALL BE NEW AND OF APPROVED TYPE FOR THE PURPOSE AND LOCATION THEY ARE INTENDED FOR AND SHALL PASS QUALITY CONTROL STANDARDS.
2. AGGREGATES TO BE USED HEREIN SHALL BE HARD, DURABLE, CLEAN AND FREE FROM HARMFUL MATTERS INJURIOUS TO CONCRETE.
3. AGGREGATE BASE COURSE/SBBC SHALL CONSIST OF HARD, DURABLE PARTICLES OR FRAGMENTS OF CRUSHED STONE, CRUSHED SLAG OR CRUSHED OR NATURAL GRAVEL AND FILLER OF NATURAL OR CRUSHED SAND OR OTHER FINELY DIVIDED MINERAL MATTER.
4. AGGREGATE BASE COURSE/SBBC SHALL BE FREE FROM VEGETABLE MATTER AND LUMPS OR BALLS OF CLAY AND SHALL BE OF SUCH NATURE THAT IT CAN BE COMPACTED READILY TO FORM A FIRM, STABLE BASE.

**EXCAVATION**

1. EXCAVATION SHALL BE MADE IN CONFORMITY W/ LINES, GRADES & DIMENSIONS AS SHOWN.
2. THE CONTRACTOR SHALL EXERCISE EXTREME PRECAUTIONS & SAFETY MEASURES DURING THE EXCAVATION.

**REINFORCING STEEL**

1. REINFORCING STEEL BARS TO BE USED SHALL CONSIST OF NEW BILLET STEEL (STRUCTURAL GRADE) OF GOOD QUALITY, MEETING ALL THE REQUIREMENT OF THE STANDARD SPECIFICATIONS FOR REINFORCING BARS, AND THE SIZE REQUIRED BY THE DRAWING.
2. THE LENGTH OF LAP JOINT AND ANCHORAGE SHALL NOT BE LESS THAN 40 TIMES THE DIAMETER OF THE BAR BUT NOT LESS THAN 300mm.

**STRUCTURAL CONCRETE**

1. AGGREGATES TO BE USED HEREIN SHALL BE HARD, DURABLE, CLEAN AND FREE FROM HARMFUL MATTERS THAT ARE INJURIOUS TO CONCRETE.
2. CONCRETE MIXTURE FOR STRUCTURAL CONCRETE, PCCP, GUTTER AND ALL REINFORCED STRUCTURES SHALL BE CLASS "A" (1:2:3) F'c=3,000PSI @ 28 CD.

**CURING**

1. TO PREVENT CONCRETE STRENGTH LOSS BROUGHT ABOUT BY THE PREMATURE DRYING, CONCRETE SHOULD BE PROTECTED FROM LOSS OF MOISTURE FOR AT LEAST 7 DAYS AND IN MORE SENSITIVE WORKS, UP TO 14 DAYS. CURING CAN BE ACHIEVED BY KEEPING EXPOSED SURFACES CONTINUALLY WET THROUGH SPRINKLING, PONDING, COVERING WITH PLASTIC FILM OR OTHER SUCH CONVENTIONAL METHODS.

**DISROUTED RIPRAP (SLOPE PROTECTION)**

1. MORTAR MIXTURE FOR GROUTED RIPRAP SHALL BE CLASS "B" (1 PART CEMENT 3 PARTS SAND) AND SUFFICIENT WATER TO OBTAIN THE REQUIRED CONSISTENCY.
2. THE HORIZONTAL AND VERTICAL CONTACT SURFACE BETWEEN STONES SHALL BE EMBEDDED BY CEMENT MORTAR HAVING A MINIMUM THICKNESS OF 20MM. SUFFICIENT MORTAR SHALL BE USED TO COMPLETELY FILL ALL VOIDS LEAVING THE FACE OF THE STONES EXPOSED.
3. GROUTED RIPRAP SHALL BE PROVIDED W/ 3" DIA. PVC WEEPHOLES SPACED @ 1M O.C. ON STAGGERED BASIS.
4. STONE BOULDERS FOR GROUTED RIPRAP SHALL BE HARD, DURABLE AND SHALL PASS THE QUALITY CONTROL STANDARDS (CLASS "A" STONES)

**CURING**

1. TO PREVENT CONCRETE STRENGTH LOSS BROUGHT ABOUT BY THE PREMATURE DRYING, CONCRETE SHOULD BE PROTECTED FROM LOSS OF MOISTURE FOR AT LEAST 7 DAYS AND IN MORE SENSITIVE WORKS, UP TO 14 DAYS. CURING CAN BE ACHIEVED BY KEEPING EXPOSED SURFACES CONTINUALLY WET THROUGH SPRINKLING, PONDING, COVERING WITH PLASTIC FILM OR OTHER SUCH CONVENTIONAL METHODS.

**GENERAL**

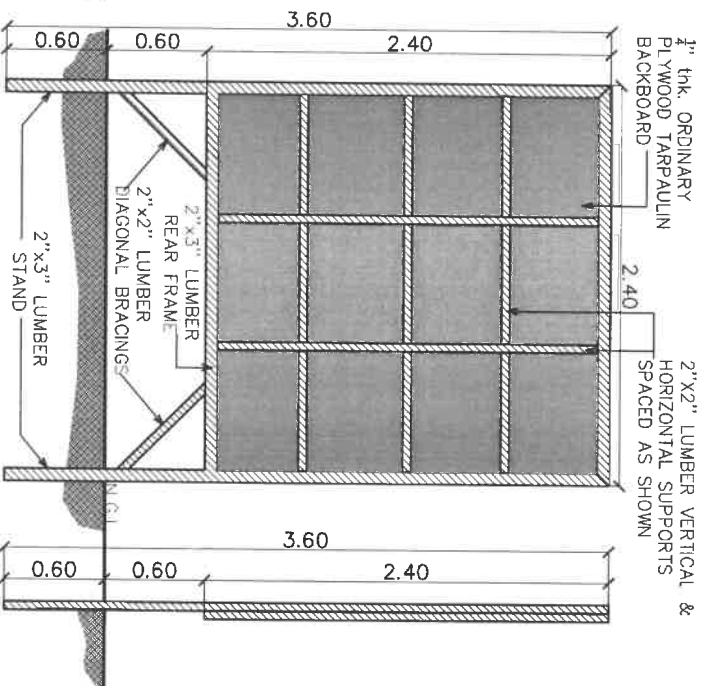
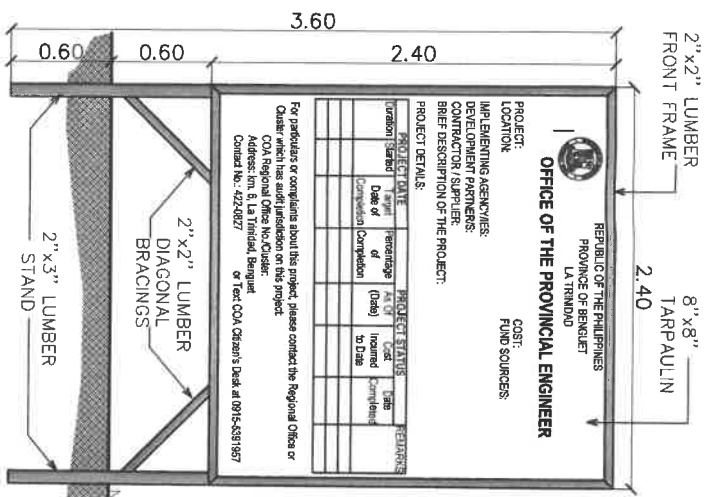
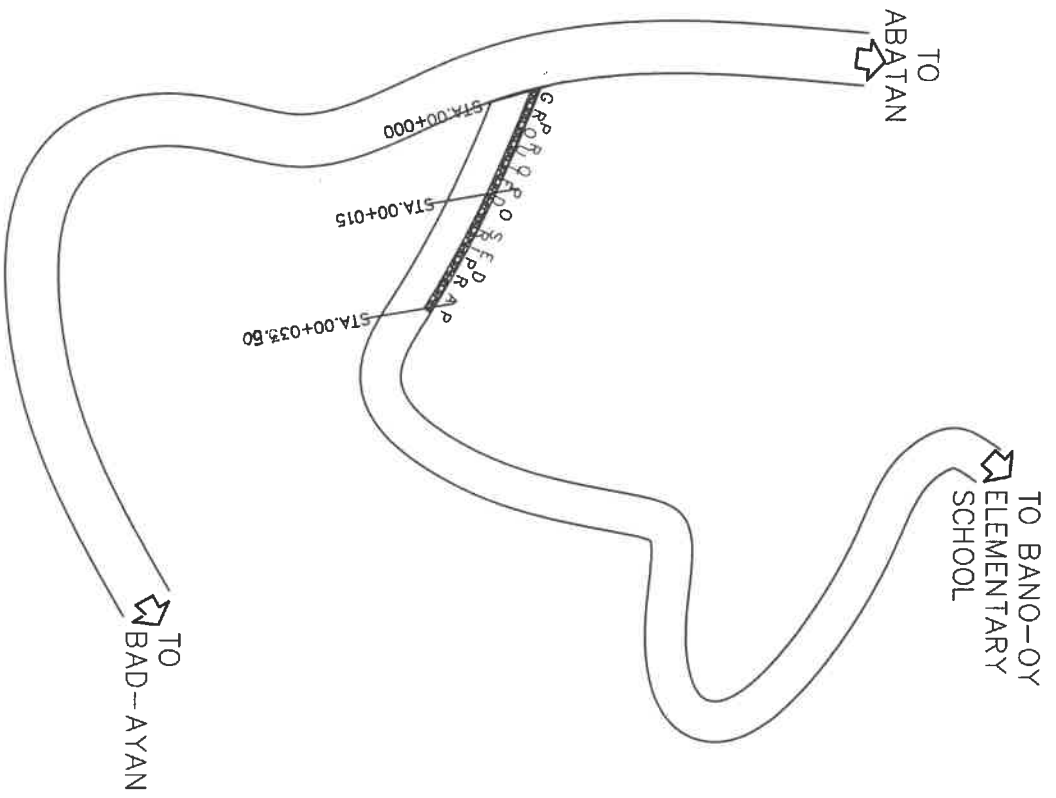
1. PROJECT BILLBOARD SHALL BE STRICTLY COMPLIED AT THE START OF THE PROJECT.
  2. ALL DIMENSIONS HEREIN ARE IN METERS UNLESS OTHERWISE SPECIFIED.
  3. WORKMANSHIP SHALL CONFORM TO THE STANDARDS OF THE RESPECTIVE TRADE.
  4. APPROVED REVISIONS MAYBE DONE HEREIN TO SUIT EXISTING FIELD CONDITIONS.
  5. OTHER DETAILS NOT SHOWN HEREIN OR NOT CLEARLY UNDERSTOOD SHALL BE REFERRED TO THE PROJECT IN-CHARGE FOR PROPER VERIFICATION AND RECOMMENDATIONS.
  6. ALL MATERIALS TO BE USED HEREIN SHALL BE NEW AND OF GOOD QUALITY AND FREE FROM ANY DEFECTS AND IMPERFECTIONS.
- AGGREGATES SHALL BE STRICTLY TAKEN FROM THE PROGRAMMED SOURCE.

GENERAL NOTES  
NTS

- SCOPE OF WORK**
- ✓ SPL. A: PROJECT BILLBOARD
  - ✓ SPL. B: CONSTRUCTION OF HEALTH AND SAFETY REQUIREMENTS
  - ✓ ITEM 102(1): ROADWAY EXCAVATION (UNSUITABLE-U.M.)
  - ✓ ITEM 103: STRUCTURAL EXCAVATION (UNSUITABLE-U.M.)
  - ✓ ITEM 404: REINFORCING STEEL BARS
  - ✓ ITEM 405: STRUCTURAL CONCRETE
  - ✓ ITEM 505(S): GROUTED RIPRAP (CLASS A)
  - ✓ SPL. C: MOBILIZATION AND DEMOBILIZATION
- MINIMUM HEALTH AND SAFETY STANDARDS**
- 1 PART TIME SAFETY PRACTITIONER
  - 1 FIRST AIDER
  - SAFETY SHOES
  - SAFETY HELMETS
  - SAFETY GLOVES
  - REFLECTORIZED VEST
- DOH APPROVED MASK**
- MEDICAL**
- KITS/ALCOHOL, SANITIZERS, THERMAL SCANNER, ETC.)**
- FIRST AID KIT**

- EQUIPMENT**
- ✓ 1 BAR BENDER, THREE PHASE
  - ✓ 1 BAR CUTTER, SINGLE PHASE
  - ✓ 1 CARGO TRUCK (2-5mt)
  - ✓ 1 CARGO TRUCK (9-10mt)
  - ✓ 1 ONE BAGGER CONCRETE MIXER
  - ✓ 1 CONCRETE VIBRATOR
  - ✓ 1 WATER TRUCK/PUMP (1000
  - ✓ 1 PAYLOADER (150cu.m)
  - ✓ 2 DUMP TRUCK (12 cu.yd)
  - ✓ 1 BACKHOE (.80 cu.m.)

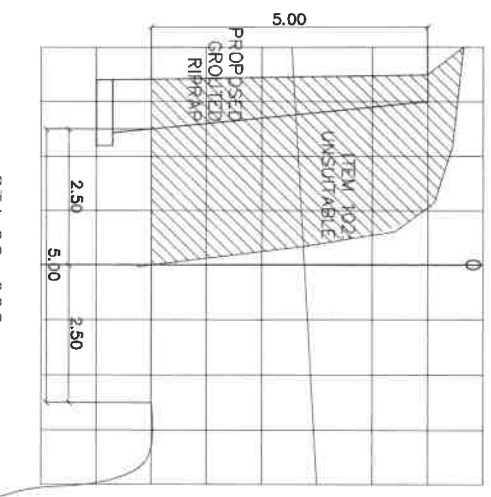
REPUBLIC OF THE PHILIPPINES PROVINCE OF BENGUET <b>P.E.O</b> WANGAL, LA TRINIDAD BENGUET	PROJECT TITLE/LOCATION: IMPROVEMENT OF J207-SEBSEB-BELING ROAD (SEBSEB SECTION), BACOLONGAN NORTE, BUGUIAS	PREPARED BY: MYRNA A. MORGADO ENGINEER I	CHECKED BY: JOSEPH R. BAYAMAN ENGINEER I	REVIEWED BY: FRANCIS T. BANGCOYAO ASSISTANT PROVINCIAL ENGINEER	APPROVAL/RECOMMENDATION: JERRY L. BOCANOG PROVINCIAL ENGINEER	APPROVED BY: MELCHOR D. DICLAS PROVINCIAL GOVERNOR	SHEET NUMBER 1 / 5
------------------------------------------------------------------------------------------------------	---------------------------------------------------------------------------------------------------------------	------------------------------------------------	------------------------------------------------	-----------------------------------------------------------------------	---------------------------------------------------------------------	----------------------------------------------------------	-----------------------



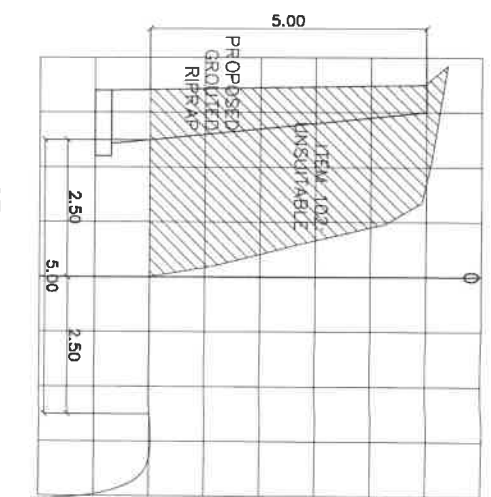
PROJECT BILLBOARD  
SCALE N. T. S.

PROJECT TITLE/LOCATION: IMPROVEMENT OF J207-SEBSEB-BELING ROAD(SEBSEB SECTION), BACULONGAN NORTE, BUGUIAS	PREPARED BY: MYRNA MAR A. MORGADO ENGINEER I	CHECKED BY: JOSEPH R. CASAMIAN ENGINEER I	SHEET NUMBER 2 / 5
--------------------------------------------------------------------------------------------------------------	----------------------------------------------------	-------------------------------------------------	-----------------------

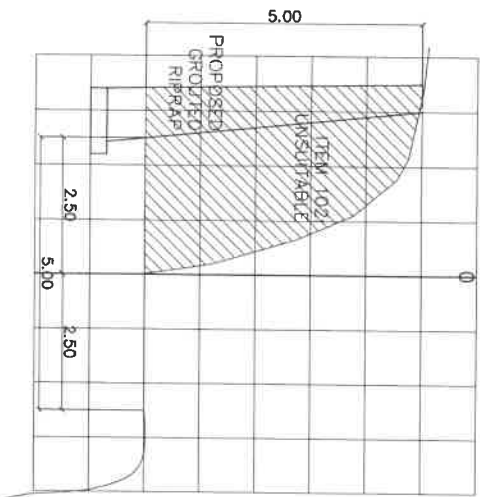
8



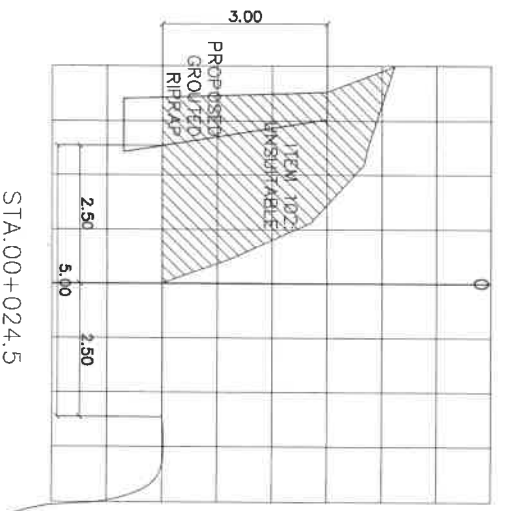
STA.00+000  
102: Area: 15.69sq.m.



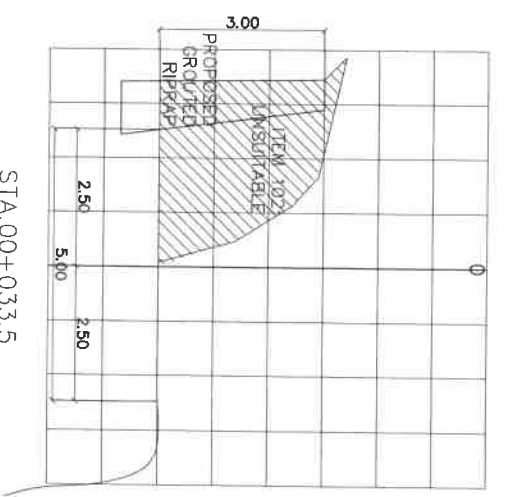
STA.00+007.5  
102: Area: 14.79sq.m.



STA.00+015  
102: Area: 13.44sq.m.



STA.00+024.5  
102: Area: 9.25sq.m.



STA.00+033.5  
102: Area: 7.58sq.m.

8

**EXCAVATION DETAIL**  
SCALE 1:100

PROJECT TITLE/LOCATION: IMPROVEMENT OF J207 - SESEB-BELING ROAD(SESSEB SECTION) BACULONGAN NORTE, BUGUIAS	PREPARED BY: MYRNA MARA A. MORGADO ENGINEER I	CHECKED BY: JOSEPH A. GANAMAN ENGINEER IV	SHEET NUMBER 3 / 5
--------------------------------------------------------------------------------------------------------------	-----------------------------------------------------	-------------------------------------------------	-----------------------





LOCATION MAP

SCALE NTS

A

PROJECT TITLE/LOCATION: IMPROVEMENT OF J207 - SERSEB - BELING ROAD (SERSEB SECTION), BACULONGAN NORTE, BUGUIAS, BACULONGAN NORTE, BUGUIAS, BENGUET	PREPARED BY:  MYRNA M. A. MORGADO ENGINEER I	CHECKED BY:  JOSEPH R. KUMAN ENGINEER IV	SHEET NUMBER 5 / 5
----------------------------------------------------------------------------------------------------------------------------------------------------------------	-------------------------------------------------------	---------------------------------------------------	-----------------------

16° 76' 57.83" N  
120° 23' 39.35" E

8