



Republic of the Philippines
PROVINCE OF BENGUET
La Trinidad
BIDS AND AWARDS COMMITTEE
(Goods and Services)

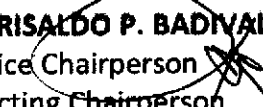
SUPPLEMENTAL/BID BULLETIN
ADDENDUM No. 36-2020

November 25, 2020

This Addendum No. 36-2020 is issued to include drawings and dimensions of the custom built body in the Invitation to Bid under Solicitation No. B-11-52-20 for the **Procurement of Brand New Vehicle Truck with Custom Built Body (jitney type)**. Attached is the drawings and the specifications of the same.

This shall form an integral part of the procurement documents.

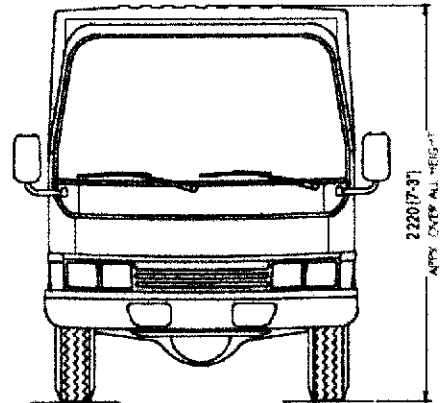
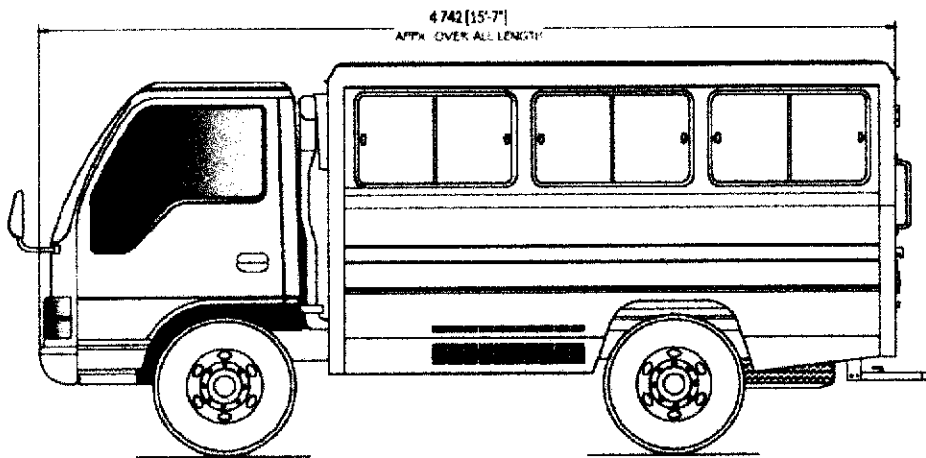
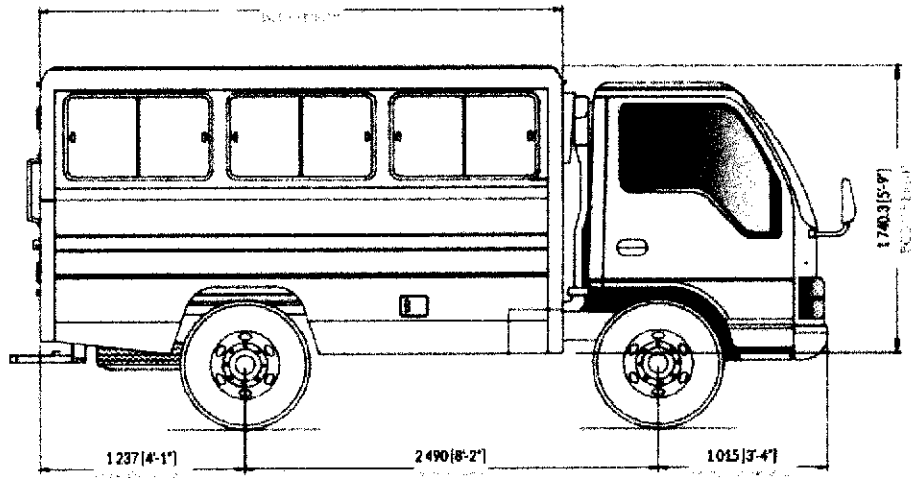
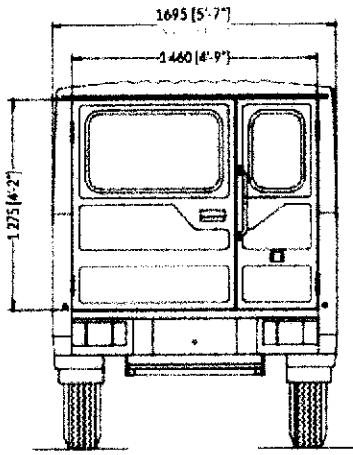
For the information and guidance of all concerned.


CRISALDO P. BADIVAL
Vice Chairperson
Acting Chairperson
BAC (Goods & Services)

Received by:

Signature Over Printed Name

Date



L = 10FT 4INCHES (3149MM) W = 5FT 7INCHES (1701MM) H = 5FT 9INCHES (1752MM)

BODY STRUCTURE

MAIN FLOORING	1.20 mm GA Sheet (Corrugated)
SIDE & DOOR PANELS	1.00 mm GA Sheet
REAR DOOR FRAME	1.50 MM X 20 x 40 mm Rect Tube frame, 70%/30% opening
MAIN ROOF PANEL	1.00 mm GA Sheet
CORNER POST	1.50 mm GA Sheet
FLOOR SILL	2.50 mm Thick MS Plate
FLOOR JOIST	2.50 mm Thick MS Plate
STEP BOARD PLATE	fab 1.50 mm GA sheet w/2.30 mm Thick checkered plate
TAIL LIGHT HOUSING	2.50 mm Thick MS Plate(bended)
BODY ANCHORAGE/MOUNTING BOLT	5/8 dia U- Bolt

ACCESSORIES

CAB CONNECTOR	Fixed Glass/Accordion
SEAT ASSEMBLY	2 pcs Foldable Bench Type
SIDE SLIDING WINDOW GLASS	4.00 mm Tempered Glass w/Lock
REAR FIXED WINDOW GLASS	4.00 mm Laminated Glass
HEADLINING	Ceiling Bubbles w/ 1/4" thick Lamination
FRONT & DOOR PADS	Lawanit wood w/ foam & upholstery
INSIDE GRAB HANDLE	2pc.22.00 mm dia. BI Tube
OUTSIDE GRAB HANDLE	(1 pc) Stainless Type
ROOM LIGHT	1 pc Rectangular Type
DOOR LOCK	(1 set) Door lock Mechanism
DOOR HINGE	4 pcs. Zinchromated MS Plate
INSIDE DOOR HANDLE	1 plastic Handle
BATTERY OPENING	Side
MUDGUARD	4.00 mm thick Black Rubber

BODY PAINTING

METAL TREATMENT	Five Step Process
PRIMER	Epoxy Primer
SEALANT	Polyurethane Sealant
TOP COAT	Polyurethane Paint (Polar White)
UNDERCOAT	Ad Form Black
BEDLINER	Ad Form Black